

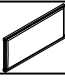










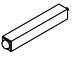
Important safety instructions:

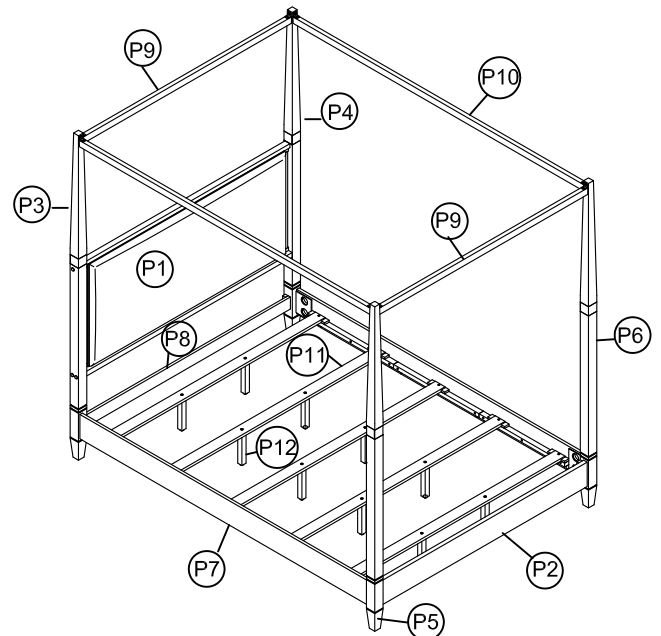
- Please read carefully all instructions before assembly.
- For your safety and ease, assembly by two or more adults is recommended.
- Keep instructions for future use.

Pre-assembly:

- Do not discard any content until assembly is complete to avoid accidentally discarding small parts or hardware.
- Take out all parts and hardware from box.

Parts List

Item	Description		QTY
P1	Headboard		1
P2	Footboard		1
P3	Left Headboard Post		1
P4	Right Headboard Post		1
P5	Left Footboard Post		1
P6	Right Footboard Post		1
P7	Side Rails		2
P8	Bottom Rail		1
P9	Canopy Short Rails		2
P10	Canopy Long Rails		2
P11	Slats		5
P12	Support Legs		10



Hardware List

Item	Description		QTY
H1	Short Bolts Ø5/16"x15mm		8
H2	Medium Bolts Ø5/16"x50mm		6
H3	Long Bolts Ø5/16"x70mm		6
H4	Lock Washers Ø5/16"		12
H5	Flat Washers Ø5/16"x16mm		12
H6	Allen Key 4mm		1
H7	Screws #4 x 30mm		10
H8	Hanger Bolt Ø5/16 x 82mm		8
H9	Halfmoon Washer Ø5/16"		8
H10	Hex Nut Ø5/16" x 12mm		8
H11	Spanner Ø5/16"		1
H12	Wood plug Ø18		6

DISCLAIMER:







WHEN PROPERLY ASSEMBLED, THIS ITEM IS SAFE FOR INTENDED USE. SELLER IS NOT LIABLE FOR ANY DAMAGES RESULTING FROM ITEM BEING IMPROPERLY ASSEMBLED AFTER PURCHASE.

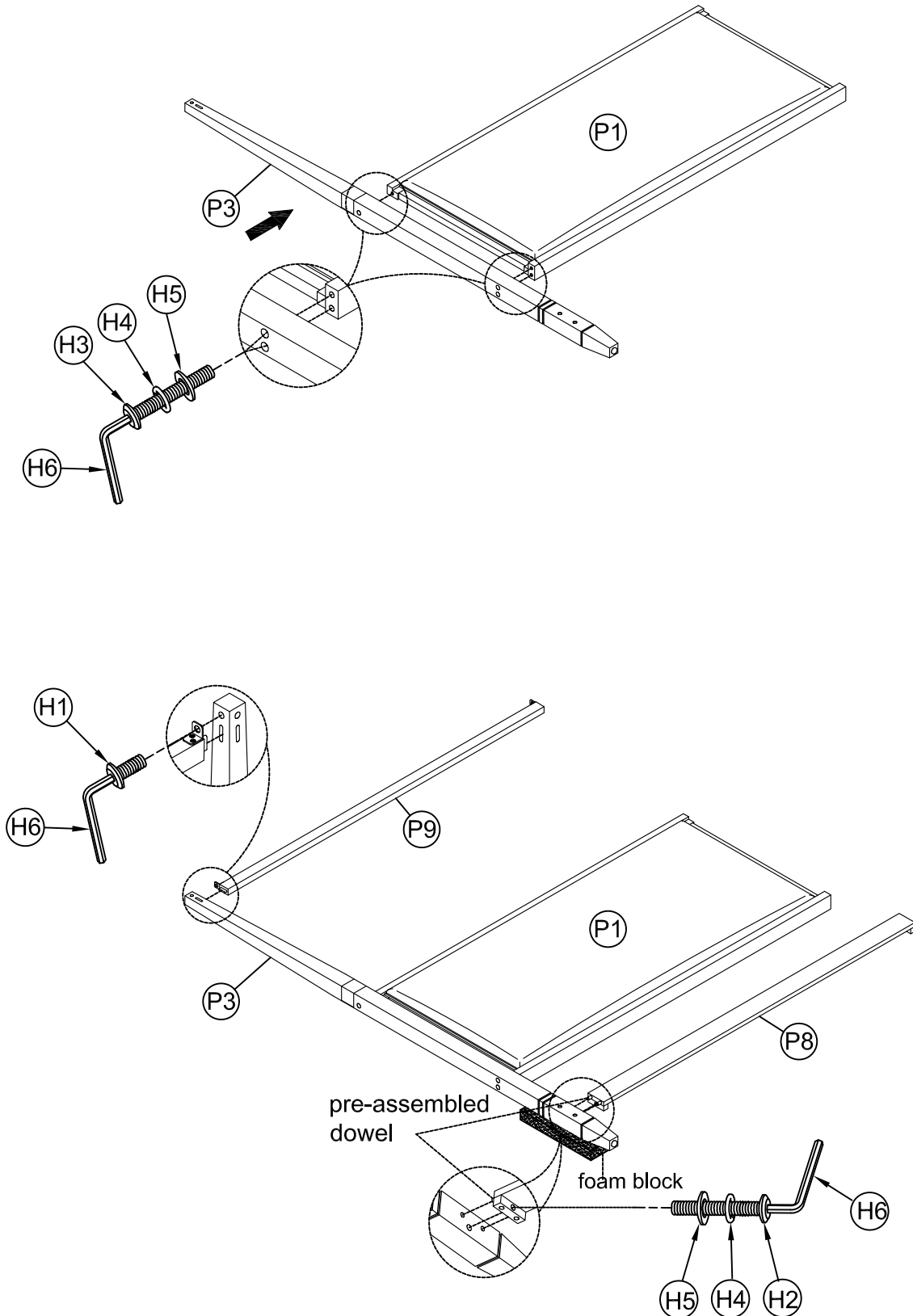
Assembly Procedures:

Step 1: Assemble the bed on a flat, soft surface such as a carpet or cloth to prevent scratching the finish.


a) Attach the left headboard post (P3) to headboard (P1).

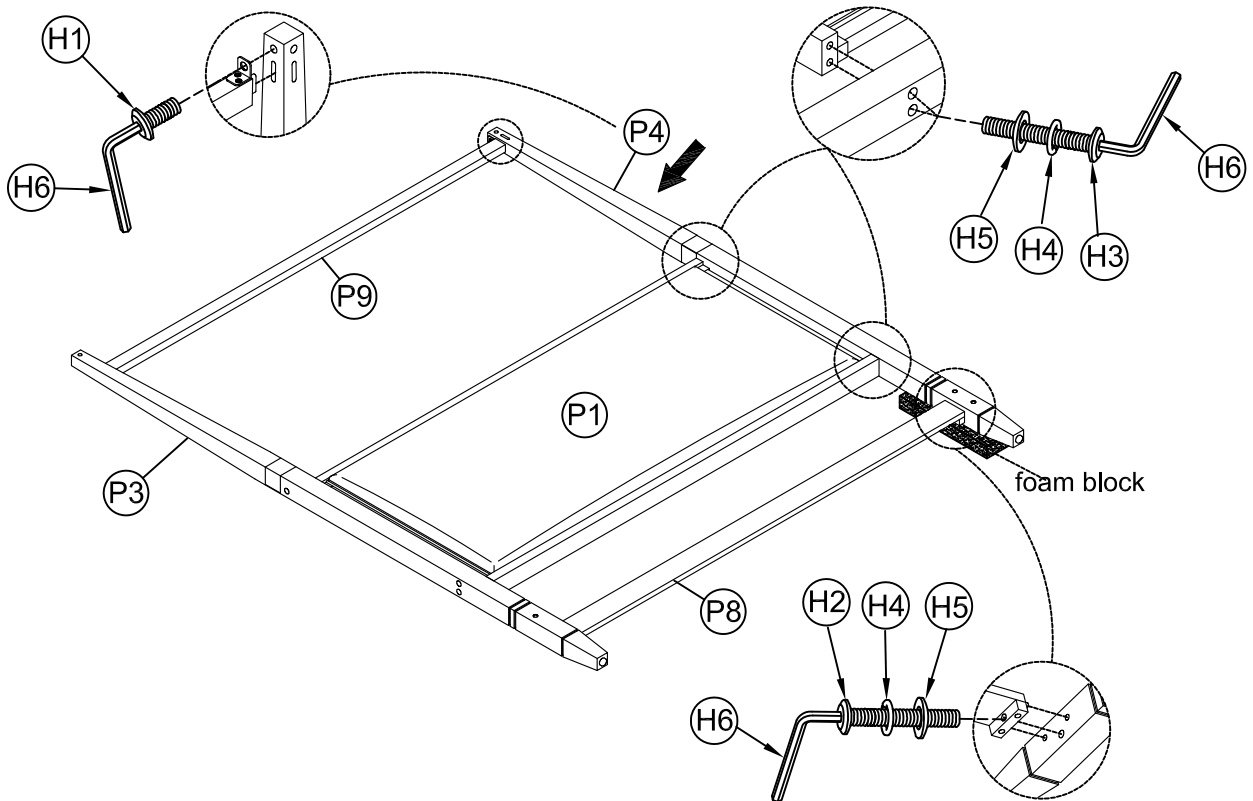
b) Using foam block or something to supported the assembled post, attach the bottom rail (P8) and canopy short rail (P9) to left headboard post (P1) as shown below:

(H1)x1	Short Bolts Ø5/16"x15mm		(H4)x4	Lock Washers Ø5/16"	
(H2)x1	Medium Bolts Ø5/16"x50mm		(H5)x4	Flat Washers Ø5/16"x16mm	
(H3)x3	Long Bolts Ø5/16"x70mm		(H6)x1	Allen Key 4mm	



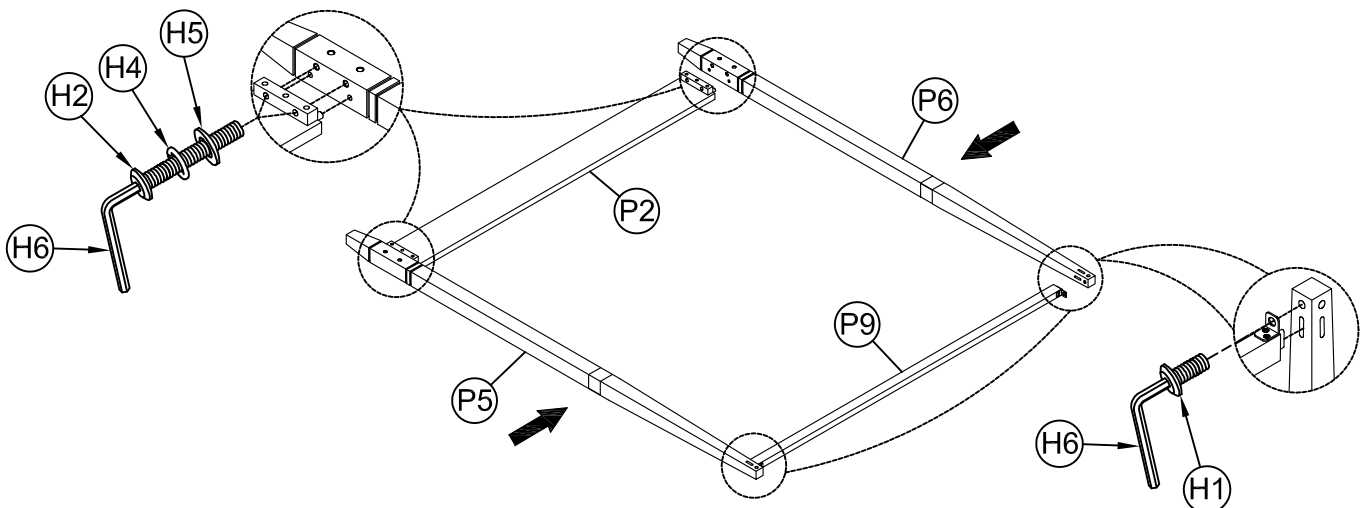
Step 2: Repeat the step 1 to assemble the right headboard post (P4) to the headboard (P1) and canopy short rail (P9) and bottom rail (P8) as shown below.

- | | | | | | |
|--------|--------------------------|---|--------|--------------------------|---|
| (H1)x1 | Short Bolts Ø5/16"x15mm |  | (H4)x4 | Lock Washers Ø5/16" |  |
| (H2)x1 | Medium Bolts Ø5/16"x50mm |  | (H5)x4 | Flat Washers Ø5/16"x16mm |  |
| (H3)x3 | Long Bolts Ø5/16"x70mm |  | (H6)x1 | Allen Key 4mm |  |







Step 3: Attach the left footboard post (P5) to right footboard post (P6) and canopy short rail (P9) to the footboard (P2) as shown below:

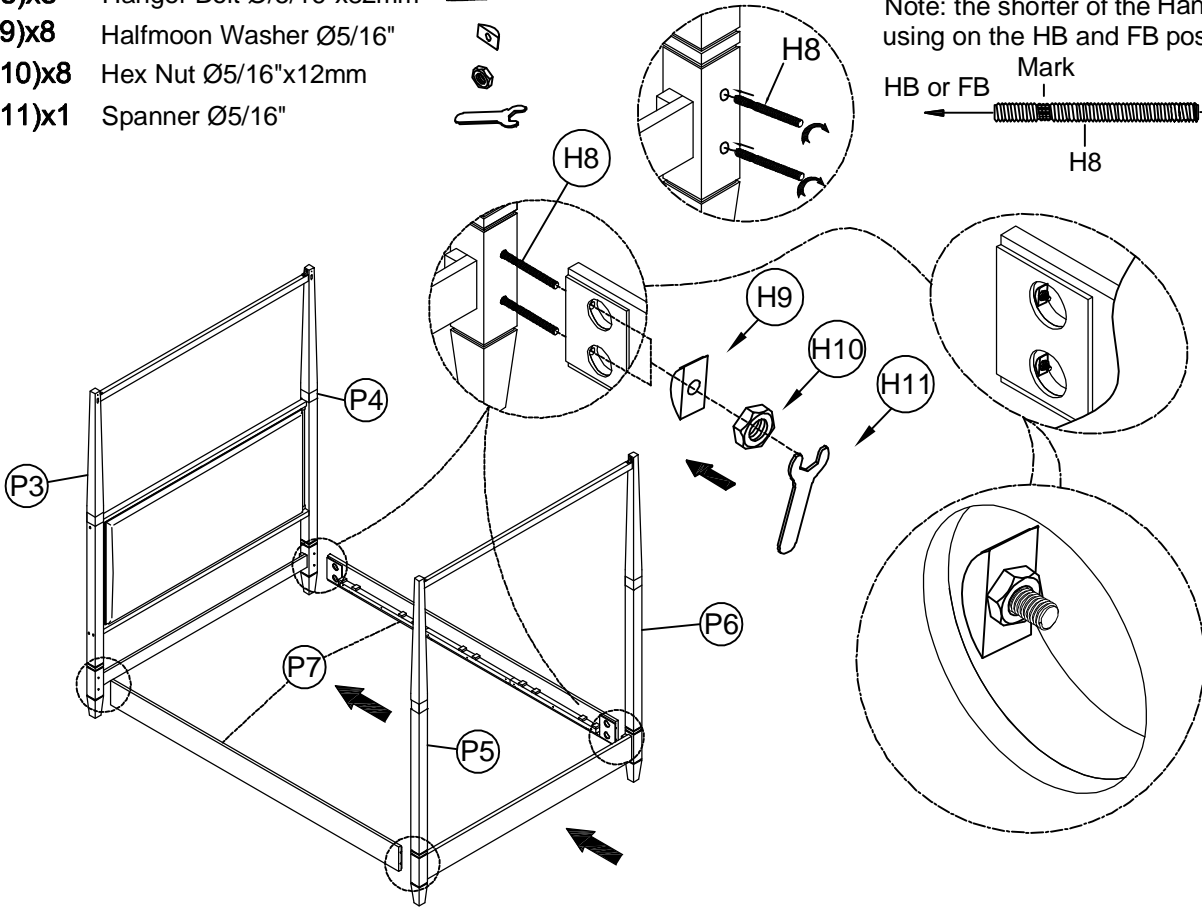
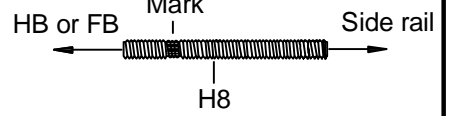
- | | | | | | |
|--------|--------------------------|---|--------|--------------------------|---|
| (H1)x2 | Short Bolts Ø5/16"x15mm |  | (H5)x4 | Flat Washers Ø5/16"x16mm |  |
| (H2)x4 | Medium Bolts Ø5/16"x50mm |  | (H6)x1 | Allen Key 4mm |  |
| (H4)x4 | Lock Washers Ø5/16" |  | | | |





Step 4: Attach the side rail (P7) to headboard posts (P3& P4) and footboard post (P5 & P6) as shown below. Do not tighten all nuts.

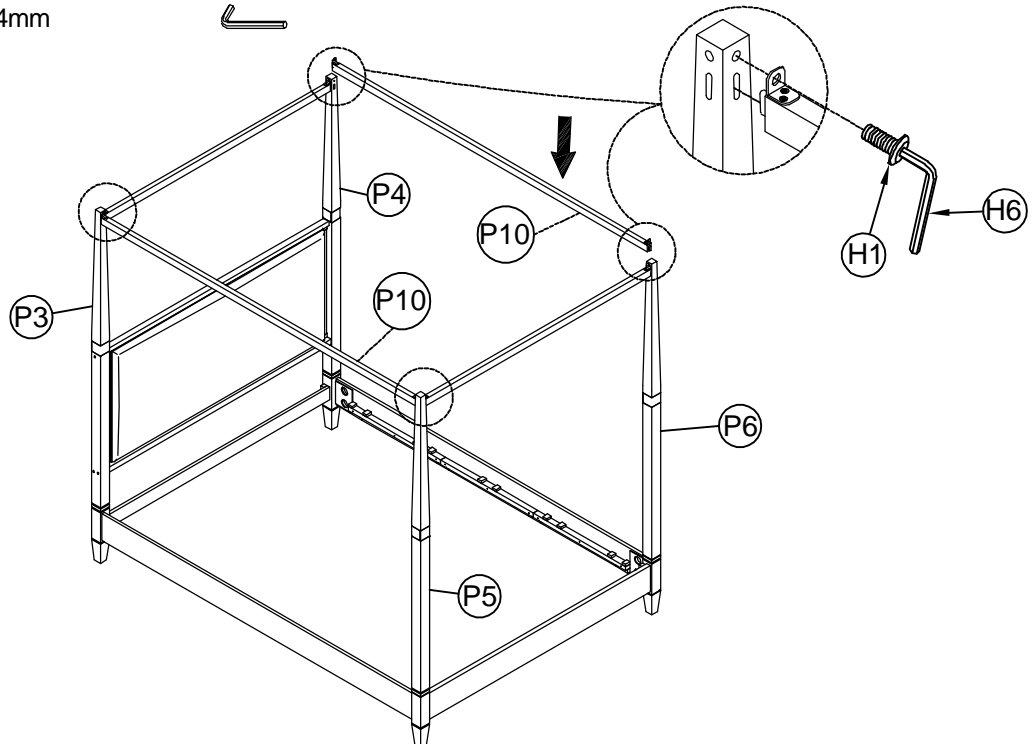
- (H8)x8 Hanger Bolt Ø5/16"x82mm 
- (H9)x8 Halfmoon Washer Ø5/16" 
- (H10)x8 Hex Nut Ø5/16"x12mm 
- (H11)x1 Spanner Ø5/16" 

Note: the shorter of the Hanger Bolt using on the HB and FB posts

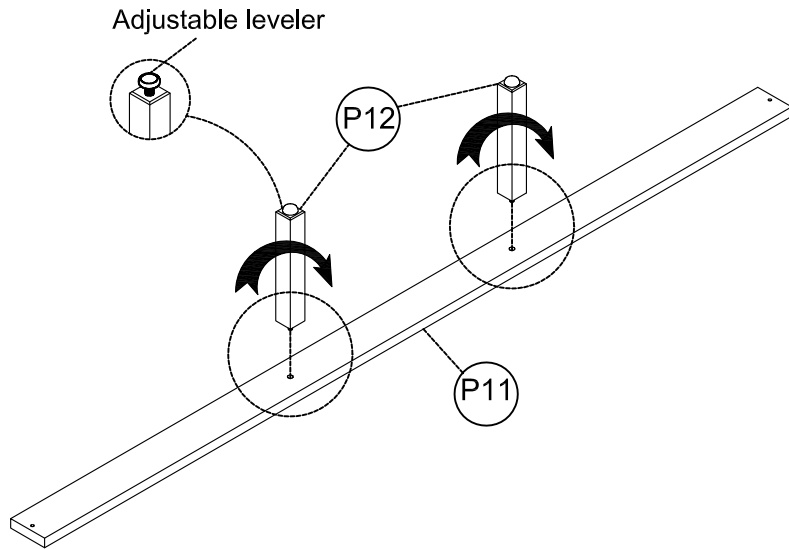


Step 5: Attach the canopy long rails (P10) to headboard posts (P3& P4) and footboard post (P5&P6) as shown below. Then tighten all nuts and bolts.

- (H1)x4 Short Bolts Ø5/16"x15mm 
- (H6)x1 Allen Key 4mm 

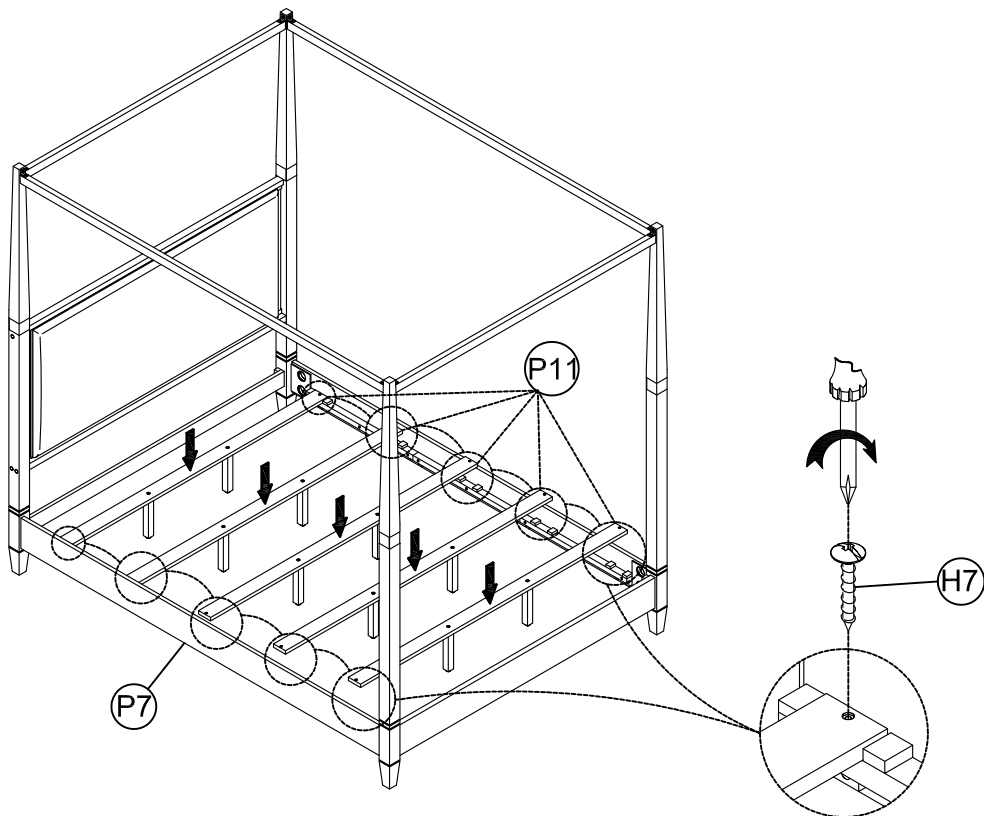


Step 6: Attach the support legs (P12) to slats (P11) as shown below:




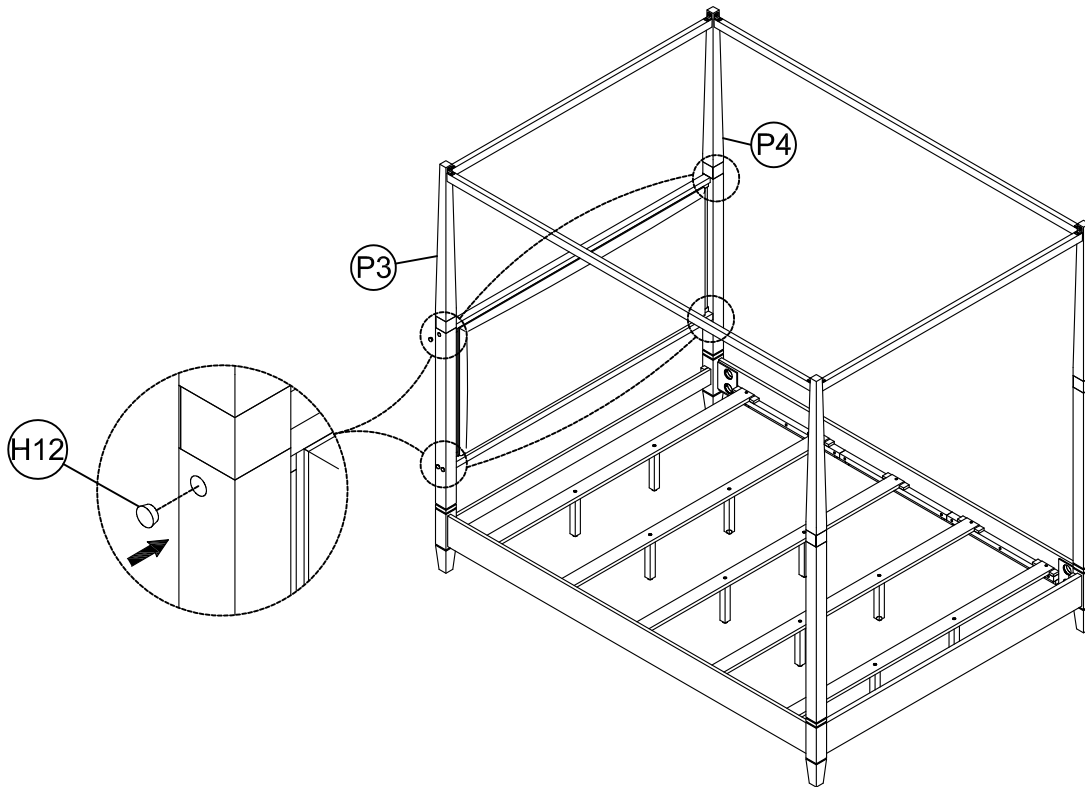
Step 7: Attach the slats (P11) to the side rails (P7) as shown below, securely tighten all screws (H7).

(H7)x10 Screws #4 x 30mm 

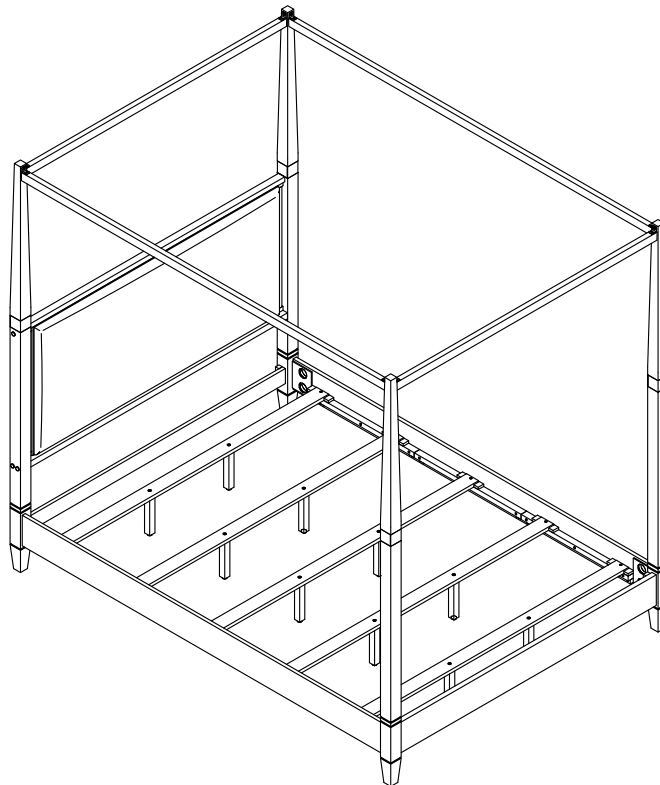


Step 8: Press in the wood plugs (H12) to headboard posts (P3 & P4) as shown below:

(H12)x6 Wood plug Ø18 



Step 9: Assembly is completed.



ADDITIONAL NOTE ABOUT SAFETY:
BOLTS MAY LOOSEN DURING NORMAL EVERYDAY USE.
THEY SHOULD BE INSPECTED AT LEAST EVERY 3 MONTHS AND RE-TIGHTENED AS NEEDED TO PREVENT DAMAGE OR INJURY, AND ENSURE STABILITY.

Thank you for your purchase